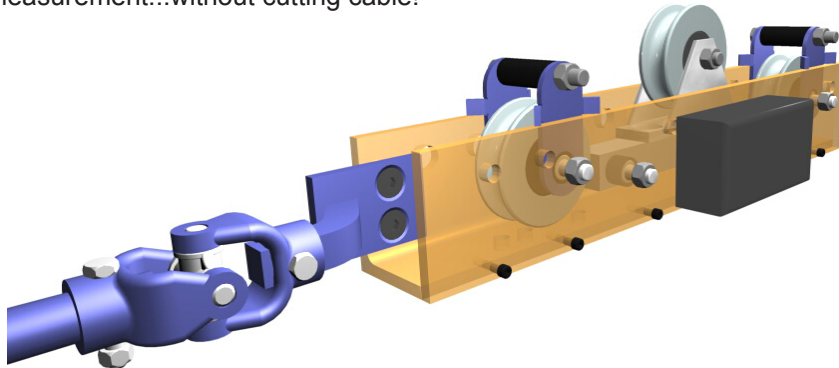


The Floater 2000 Crane Scale is a cable tension monitor that provides 'In-Line' lifting or cable tension measurement...without cutting cable!



Ideal for moving cables!

Overview:

The Massload Floater makes it possible to measure running or static cable tension. The roller configuration causes a very slight deflection in the cable. Increasing the load or tension causes a corresponding and linear increase in force on the ML600 double ended shearbeam. The Loadcell signal is converted to weight by the Digital read-out.

The Massload Floater is a cable tension monitor and is designed as a safety device, not a legal for trade weigh scale.

Three cable sizes are supported:

- 1/2" to 3/4"
- 3/4" to 1 1/4"
- 1 1/4" to 1 1/2"

A 60ft conductor cable is provided with each floater to connect it to the recommended indicator - the M2000.

This scale is also an excellent candidate for our wireless weighing package.

