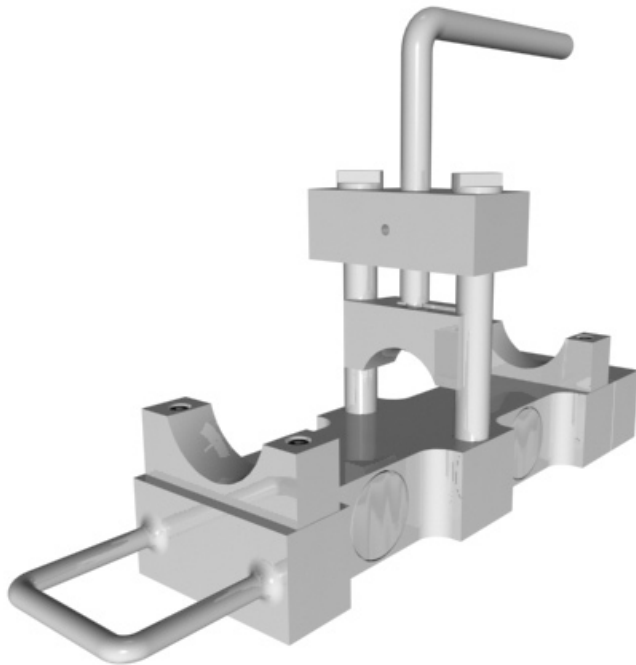


Deadline Sensor



Designed with the oil field in mind, Massload has developed a low cost cable tension monitor sensor that fits a wide variety of cable sizes. This unique design does not require the user to cut any cables, it simply clamps onto the cable.

The sensor has an extended temperature operating range. An industry standard 4-20mA output allows you to connect this unit to a variety of devices including PLC's and PC's.

Features and Benefits:

- Accurate strain gauge measurement
- Designed for all deadline tension, electronic sensing applications
- Simple clamp-on design requires no deadline anchor.
- Environmentally sealed loadcell operates in the harshest of environments.
- Easy to use
- Installs on wire rope from 3/4" to 2" diameter.
- Electronics are protected from reverse wire hook up.
- Industry standard 4-20mA signal.
- Custom engineering available.

Specifications:

Capacity: 100,000 lb. Line tension
 Safe Overload: 150% of rated capacity
 Ultimate Overload: 300% of rated capacity
 Excitation Voltage: 8 to 36 VDC
 Output at Zero Load: 4.00 mA ± 0.05 mA
 Output at Capacity: 20.00 mA ± 0.05 mA
 Load Cell Calibration Error: less than ± 0.5% full-scale
 Thermal Sensitivity Shift: less than ± 0.01% FS /°F
 Thermal Zero Shift: less than ± 0.01% FS /°F
 Operating Temp Range: -40°C to +80°C
 Compensated Temp Range: -10°C to +40°C
 Sensing Element: 700Ω full bridge strain gages
 Insulation Resistance: 5,000 MΩ or better
 Electrical Connector: Brad Harrison P/N 1R4G06A20A120
 Sealing Standard: IP-67 totally protected from dust and protected against high pressure jets of water

